

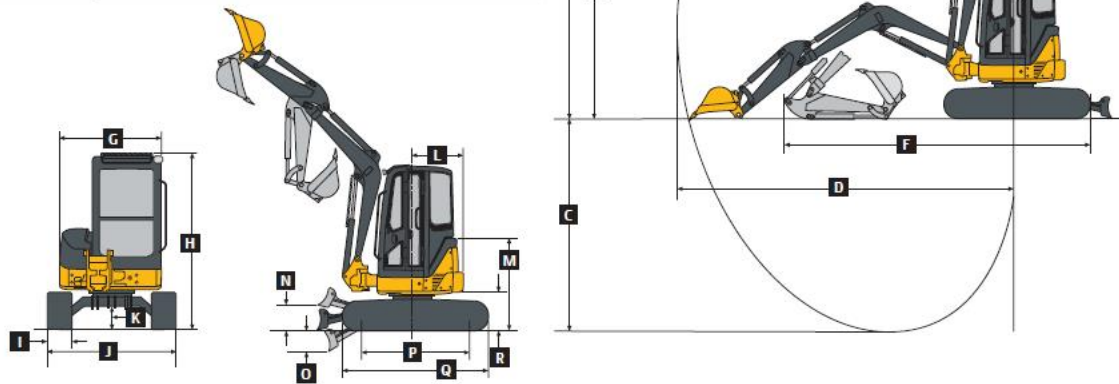
35D

Engine	35D			
Manufacturer and Model	Yanmar 3TNV88			
Non-Road Emissions Standard	EPA Interim Tier 4/EU Stage IIIB			
Displacement	1.606 L (100.4 cu. in.)			
Net Power (ISO 9249)	21.3 kW (28.6 hp) at 2,400 rpm			
Powertrain				
Each track independently driven by hydrostatic axial-piston motor connected to 2-stage planetary gear-reduction box				
Travel Speed (maximum)				
Low	2.8 km/h (1.7 mph)			
High	4.4 km/h (2.8 mph)			
Swing Speed	9.0 rpm			
Swing Brake	Spring applied, hydraulically released, automatic, disc type			
Hydraulics				
Open center with 2 variable-displacement pumps and 1 fixed-gear pump				
Pump Flow				
Piston	2 x 40.1 L/m (2 x 10.6 gpm)			
Gear	26.1 L/m (6.9 gpm)			
Auxiliary Flow	66.2 L/m (17.5 gpm)			
Controls	Hydraulic pilot-operated for boom, arm, bucket, swing, boom swing, blade, and travel			
Electrical				
Alternator Rating	55 amp			
Work Lights	2 halogen: 1 mounted on operator's station and 1 mounted on boom			
Undercarriage				
2-speed axial-piston propel motors				
Tracks, Rubber	300 mm (12 in.)			
Ground Pressure	1.35-m (4 ft. 4 in.) Standard Arm, Canopy, and Standard Counter- weight	1.35-m (4 ft. 4 in.) Standard Arm, Cab, and Standard Counterweight	1.75-m (5 ft. 8 in.) Long Arm, Canopy, and Extra Counterweight	1.75-m (5 ft. 8 in.) Long Arm, Cab, and Extra Counterweight
With Rubber Track	31.7 kPa (4.60 psi)	33.1 kPa (4.80 psi)	35.0 kPa (5.08 psi)	38.1 kPa (5.53 psi)
Upperstructure				
Independent Swing Boom				
Left	72 deg. canopy / 62 deg. cab			
Right	62 deg. canopy or cab			
Counterweight				
Standard	566 kg (1,246 lb.)			
Additional	235 kg (518 lb.)			
Serviceability				
Refill Capacities				
Fuel Tank	40 L (10.6 gal.)			
Cooling System	5.0 L (5.3 qt.)			
Engine Oil with Filter	7.2 L (7.6 qt.)			
Hydraulic Tank	32 L (8.5 gal.)			
Operating Weights				
	1.35-m (4 ft. 4 in.) Standard Arm, Canopy, and Standard Counter- weight	1.35-m (4 ft. 4 in.) Standard Arm, Cab, and Standard Counterweight	1.75-m (5 ft. 8 in.) Long Arm, Canopy, and Extra Counterweight	1.75-m (5 ft. 8 in.) Long Arm, Cab, and Extra Counterweight
With Full Fuel Tank and 79-kg (175 lb.) Operator	3520 kg (7,760 lb.)	3690 kg (8,135 lb.)	3778 kg (8,329 lb.)	3948 kg (8,704 lb.)



Operating Dimensions		350	1.35-m (4 ft. 4 in.) Standard Arm, Canopy, and Standard Counterweight	1.35-m (4 ft. 4 in.) Standard Arm, Cab, and Standard Counterweight	1.75-m (5 ft. 8 in.) Long Arm, Canopy, and Extra Counterweight	1.75-m (5 ft. 8 in.) Long Arm, Cab, and Extra Counterweight
A	Maximum Digging Height	4.87 m (16 ft. 0 in.)	4.71 m (15 ft. 5 in.)	4.95 m (16 ft. 3 in.)	4.76 m (15 ft. 7 in.)	
B	Maximum Dumping Height	3.47 m (11 ft. 5 in.)	3.32 m (10 ft. 11 in.)	3.57 m (11 ft. 9 in.)	3.39 m (11 ft. 1 in.)	
C	Maximum Digging Depth	3.05 m (10 ft. 0 in.)	3.05 m (10 ft. 0 in.)	3.45 m (11 ft. 4 in.)	3.45 m (11 ft. 4 in.)	
D	Maximum Digging Reach	5.21 m (17 ft. 1 in.)	5.21 m (17 ft. 1 in.)	5.52 m (18 ft. 1 in.)	5.52 m (18 ft. 1 in.)	
E	Minimum Front Swing Radius	2.07 m (6 ft. 9 in.)	2.23 m (7 ft. 4 in.)	2.17 m (7 ft. 1 in.)	2.30 m (7 ft. 7 in.)	
F	Transport Length	4.65 m (15 ft. 3 in.)	4.65 m (15 ft. 3 in.)	4.78 m (15 ft. 8 in.)	4.78 m (15 ft. 8 in.)	
Breakout Force						
	Bucket	27.5 kN (6,182 lb.)	27.5 kN (6,182 lb.)	27.5 kN (6,182 lb.)	27.5 kN (6,182 lb.)	
	Arm	19.1 kN (4,294 lb.)	19.1 kN (4,294 lb.)	17.2 kN (3,866 lb.)	17.2 kN (3,866 lb.)	

Machine Dimensions		
	Blade Width	1.74 m (5 ft. 9 in.)
	Blade Height	370 mm (14.6 in.)
G	Upperstructure Width	1.55 m (5 ft. 1 in.)
H	Overall Height	
	Canopy	2.46 m (8 ft. 1 in.)
	Cab	2.50 m (8 ft. 2 in.)
I	Track Width	300 mm (12 in.)
J	Undercarriage Width	1.74 m (5 ft. 9 in.)
K	Ground Clearance	280 mm (11 in.)
L	Tail Swing Radius	
	Standard Arm	870 mm (34 in.)
	Long Arm with Extra Counterweight	960 mm (3 ft. 2 in.)
M	Engine Cover Height	1.42 m (4 ft. 8 in.)
N	Maximum Blade Lift Above Ground	370 mm (14.6 in.)
O	Maximum Blade Drop Below Ground	390 mm (15.4 in.)
P	Sprocket Center To Idler Center	1.65 m (5 ft. 5 in.)
Q	Track Length	2.11 m (6 ft. 11 in.)
R	Counterweight Clearance	550 mm (22 in.)



Lift Capacities		1.35-m (4 ft. 4 in.) Standard Arm and Canopy	1.35-m (4 ft. 4 in.) Standard Arm and Cab	1.75-m (5 ft. 8 in.) Long Arm and Canopy	1.75-m (5 ft. 8 in.) Long Arm and Cab
Ground Level at 3.05-m (10 ft.) Radius		1505 kg (3,315 lb.)	1505 kg (3,315 lb.)	1422 kg (3,133 lb.)	1422 kg (3,133 lb.)
Over Front, Blade Down (limited by hydraulics), Standard or Extra Counterweight		1505 kg (3,315 lb.)	1505 kg (3,315 lb.)	1422 kg (3,133 lb.)	1422 kg (3,133 lb.)
Over Side					
	Standard Counterweight	653 kg (1,439 lb.)	688 kg (1,516 lb.)	648 kg (1,428 lb.)	683 kg (1,505 lb.)
	Extra Counterweight	775 kg (1,708 lb.)	775 kg (1,708 lb.)	770 kg (1,697 lb.)	805 kg (1,773 lb.)